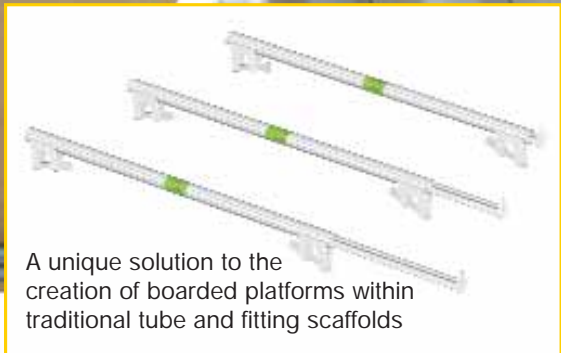




Generation xtenda

intermediate transom



A unique solution to the creation of boarded platforms within traditional tube and fitting scaffolds

COMBINES
3 loose
components
into one

SUITABLE
for use with
regular tube
& fittings

HIGH
load bearing
capacity

MINIMISES
disruption
on site

READYLOK
compatible
available

Generation xtenda system scaffold



A unique solution to the creation of boarded platforms within traditional tube & fitting scaffolds. **Generation xtenda** combines 3 loose components into one easy to assemble item that is suitable for use with traditional tube and fittings with Readylok transoms.

Birmingham Tel: 0121 544 3355
Fax: 0121 544 3131

Bristol Tel: 0117 972 4550
Fax: 0117 972 4502

Cardiff Tel: 029 2046 3835
Fax: 029 2046 3246

Chelmsford Tel: 01245 227771
Fax: 01245 227383

Edinburgh Tel: 01506 863864
Fax: 01506 863916

Glasgow Tel: 0141 647 6969
Fax: 0141 647 5851

Leeds Tel: 0113 277 8822
Fax: 0113 277 9977

London Tel: 020 7473 6056
Fax: 020 7473 2077

Newcastle Tel: 0191 492 1190
Fax: 0191 411 1148

Northampton Tel: 01604 580 444
Fax: 01604 580 487

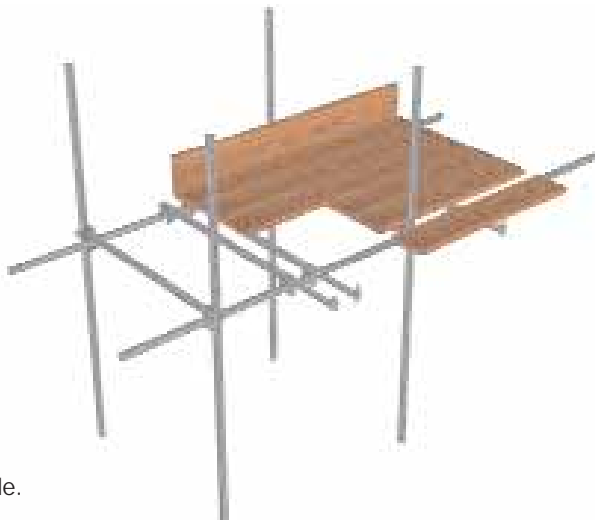
Southampton Tel: 01489 89 4411
Fax: 01489 894455

Stockport Tel: 0161 477 0131
Fax: 0161 477 7618

Taplow Tel: 01628 673835
(Thames Valley) Fax: 01628 634788

xtenda transoms are suitable for the following scaffold types:

- Facade Access.
- Inspection, Lightweight, Medium and Heavy Duty Scaffolds.
- 1, 2 or 3 inside boards, fully loaded.
- 4 board wide scaffolds.
- 5 board wide scaffolds.
- System scaffolds 1.0 and 1.22m wide.

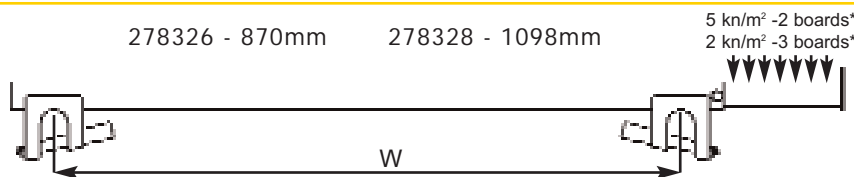


AVAILABLE FOR HIRE & SALE

Part No	Description	Application	Width	Main Boards	Inside Boards	Weight
278326	xtenda transom 870mm with 3 board insert	Tube & Fittings & Readylok	870mm	4	0 - 3	9.00kg
278328	xtenda transom 1098mm with 3 board insert	Tube & Fittings & Readylok	1098mm	5	0 - 3	9.90kg

xtenda inserts are removable and fully interchangeable.

2 and 3 inside board inserts are available, identified by different end plates.



xtenda intermediate transoms are also available using a single wedge connection at the outside only making it adaptable to a variety of scaffold widths. xtenda intermediate transoms can be supplied to suit most system scaffolds.

Generation
hire & sale

Trinity Street, Off Tat Bank Road,
Oldbury, West Midlands. B69 4LA.
Tel. 0121 543 2950
Fax. 0121 543 2951
E mail. sales@generationuk.co.uk

freephone 0800 783 8376